



ENERGIZE YOUR LIFESTYLE

**LX06 Max (EEC L3e-A1)**



**COC**



Color

Jiangsu Lvneng Electrical Bicycle Technology Co.,Ltd  
No 158 Shengjia Village,Wuyivillage,Hengshangqiao Town,Wujin District, Changzhou,Jiangsu  
Tel: 0086-519-68217082  
[www.lvnengebike.com](http://www.lvnengebike.com)





ENERGIZE YOUR LIFESTYLE

## Specifications

### MODEL

**LX06 Max (EEC L3e-A1)**

DIMENSION (L\*W\*H)

1865\*700\*1113 MM

WHEELBASE

1350MM

MOTOR

60V 4000W **BOSCH** MOTOR

BATTERY

2\* 60V 32AH **LG** LITHIUM BATTERY (PORTABLE)

TYRE SIZE

120/70-12" TUBELESS HIGH SPEED TYRES

BRAKE

DISC BRAKE WITH CBS

MAX.SPEED

75 KM/H

MAX.RANGE

120 KM

MAX.LOADING

150 KG

SLOPE HILL-ABILITY

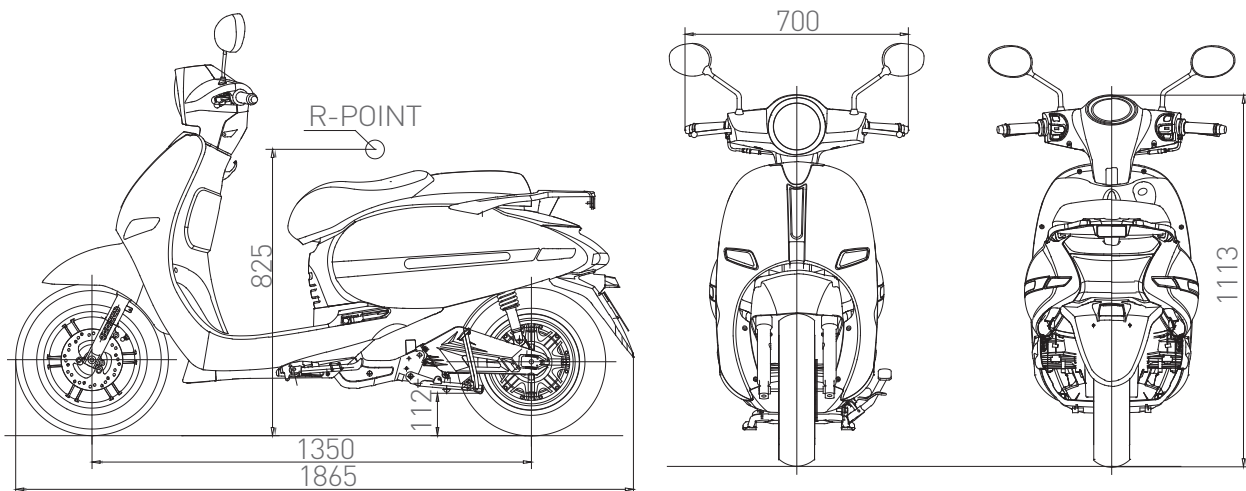
15° (30%)

PACKING SIZE

1900\*640\*1100 MM

CONTAINER LOADING

9PCS/20'GP; 36PCS/40'HQ



Units: mm